

	1
	1
	
1-1	
1-1	
1-	
1-	
1-	
1-	11
1-	1
1-	1
1-	1
1-	1
1-10	1
1-11	
1-1	
1-1	
1-1	
1-1	
1-1	0
1-1	
1-1	
	
	
-1	
-1	
-	0
-	1
-	
-	
-	
-	
-	1
-10	
-11	
-1	
-1	
-1	1
-1	
-1	
-1	
-1	
	0

[2014] 55

- 1.
- 2.
- 3.
- 4.

--

--

		1-1	1	1-1	1-1
		-1	1	-1	-1
		-1	1	-1	-1

1

I/O

C

/

Kei I C

2

1

/ /

Kei I C

MCU

/ /

2

6S (

)

/

3

120

4

20		10	0	
				1
				2
		10		3
				4
			5	

10

5

30

1



2

PCB

E

3

1

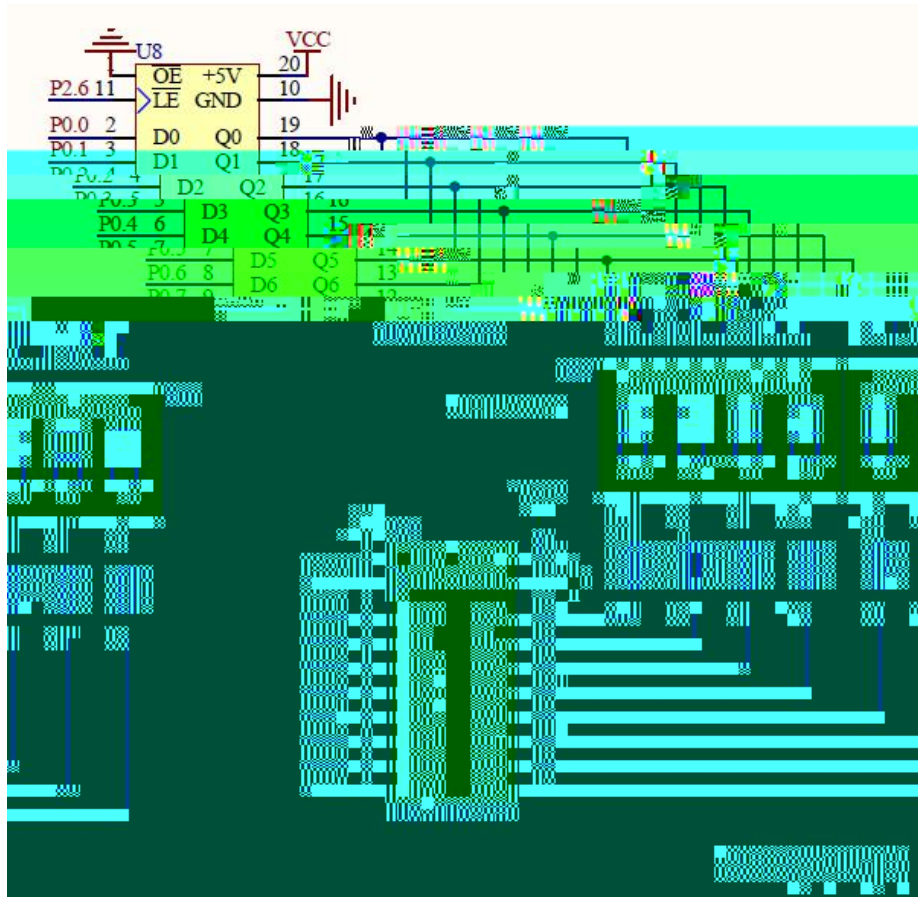


2

PCB
E

3

1

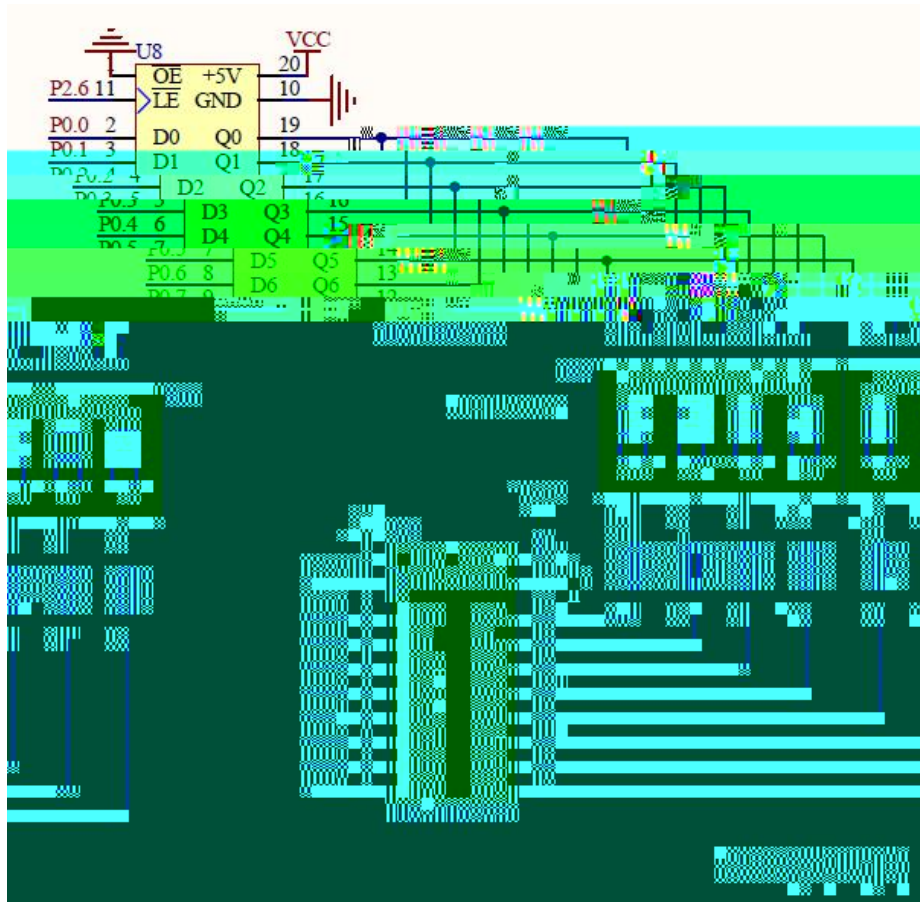


2

PCB
E

3

1



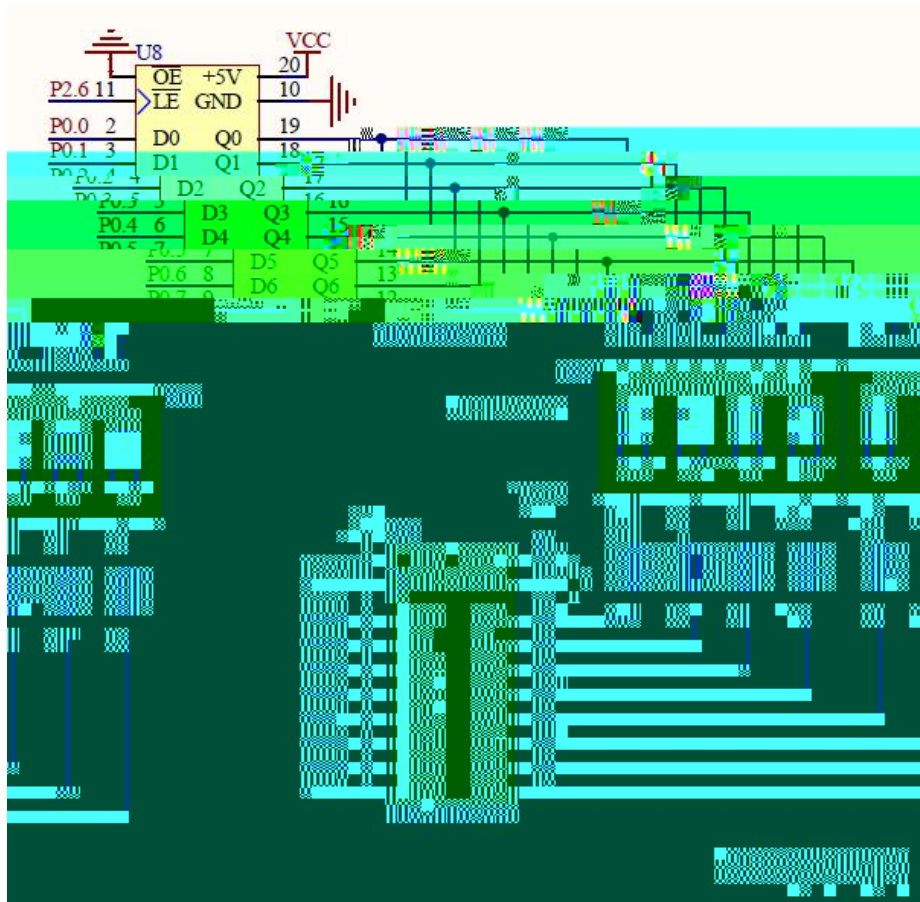
2

PCB

E

3

1



2

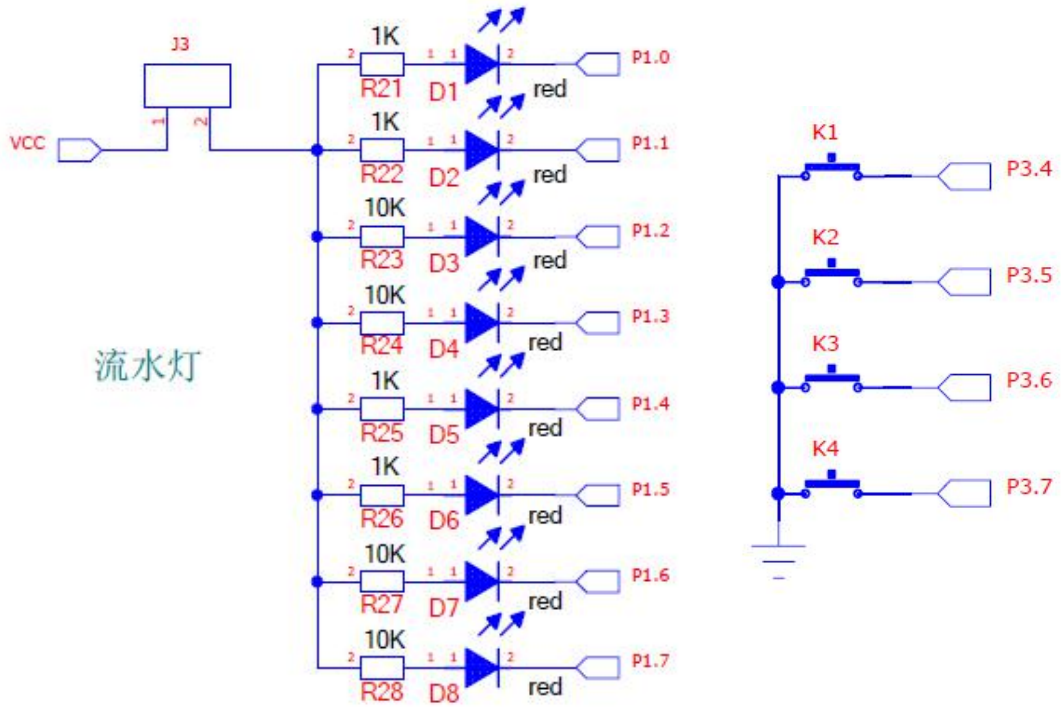
PCB

E

3

1

K1 D1 D2 D3 D4 K2 D5 D6 D7 D8 K3 8
K4 8



2

PCB
E

3

1

K1 8



2

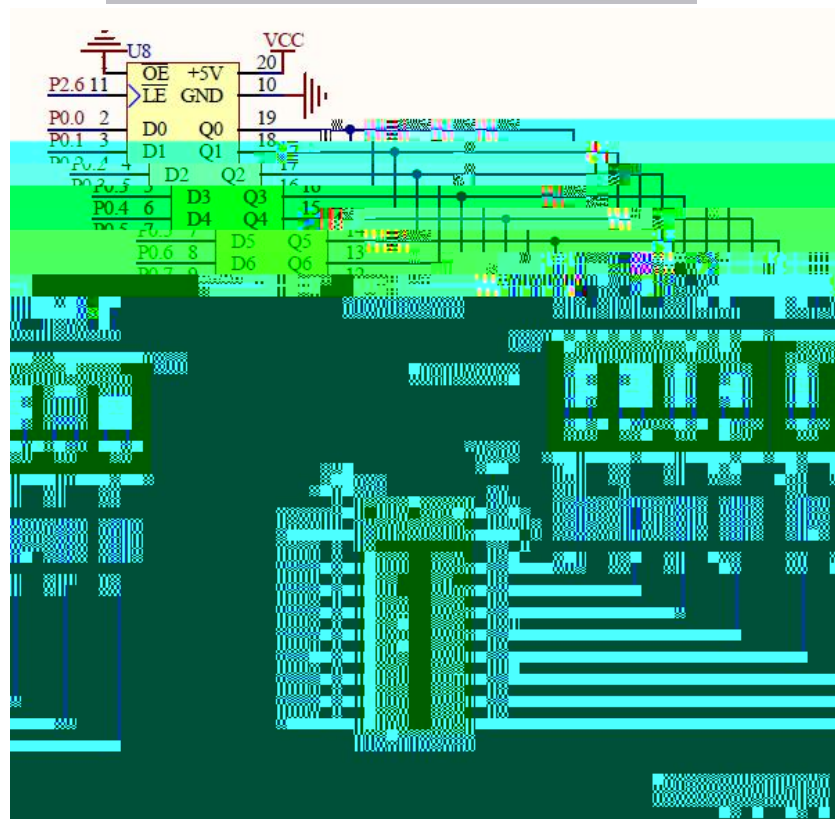
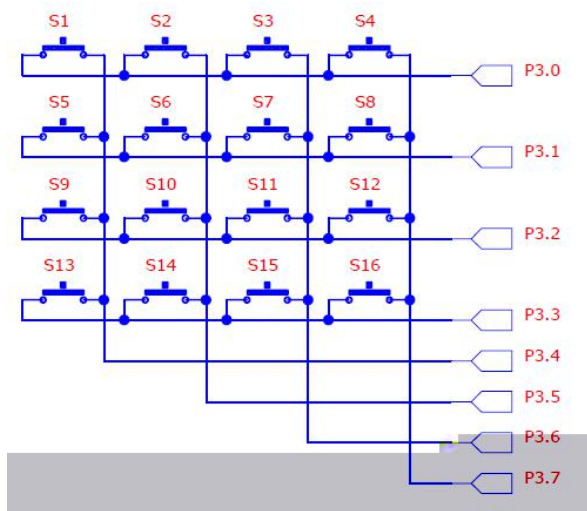
PCB
E

3

1

S1-S16

O-F



2

PCB

E

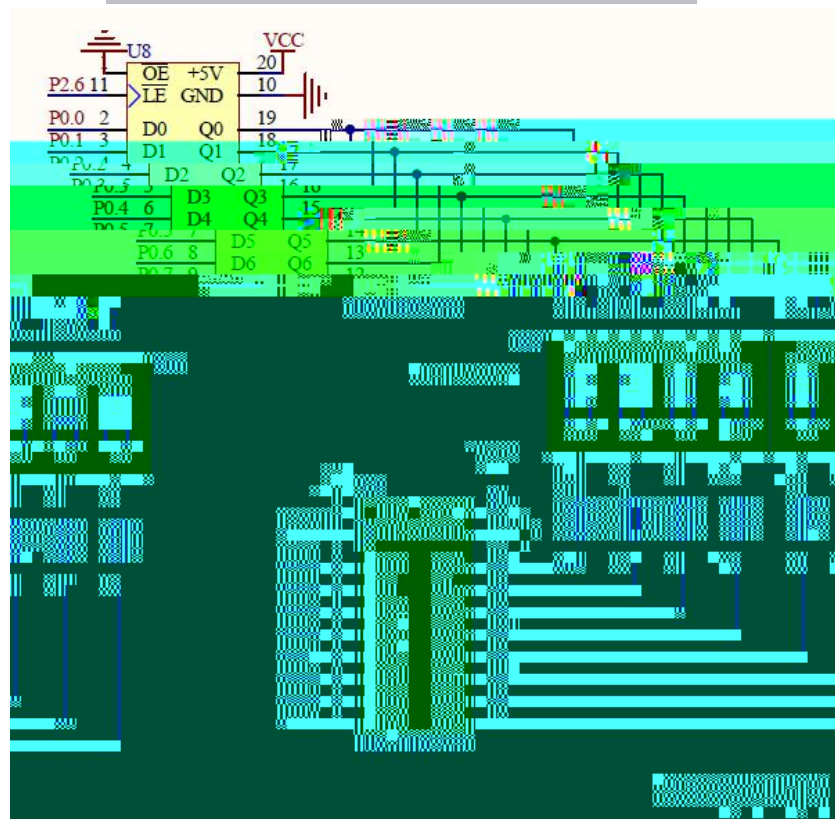
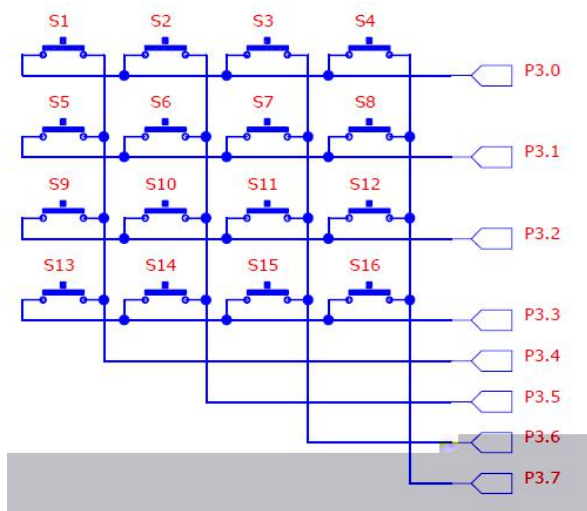
3

1

P3.2

1

9 0



2

PCB

E

3

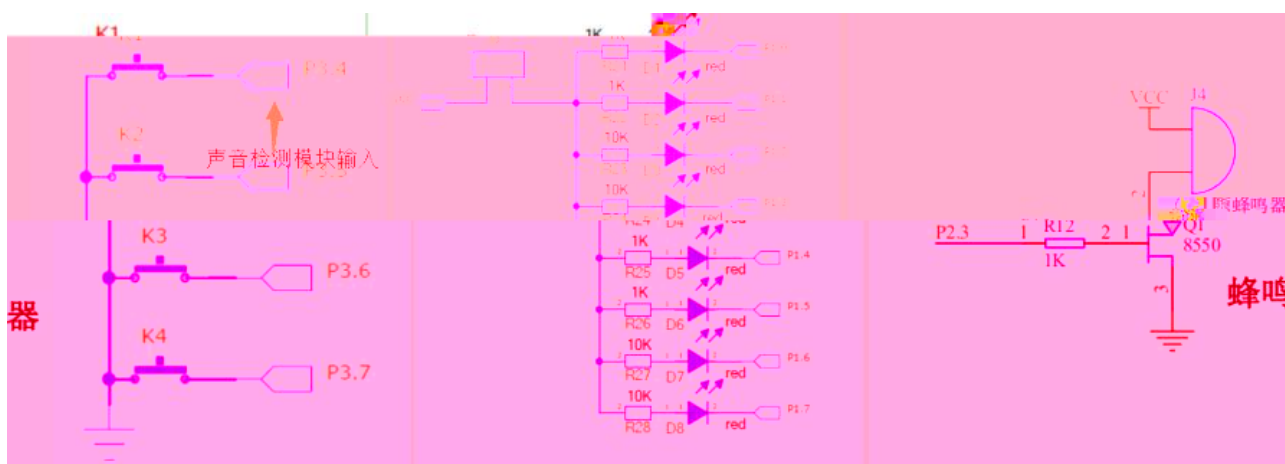
1

P3.4

1

P3.4

D1



1

2

PCB

E

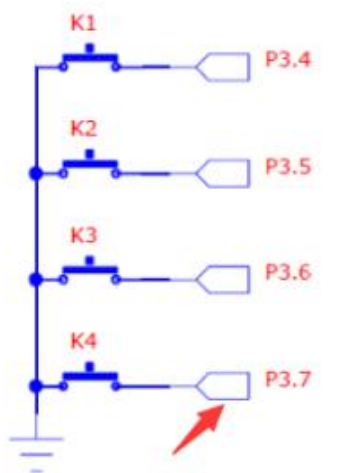
3

1

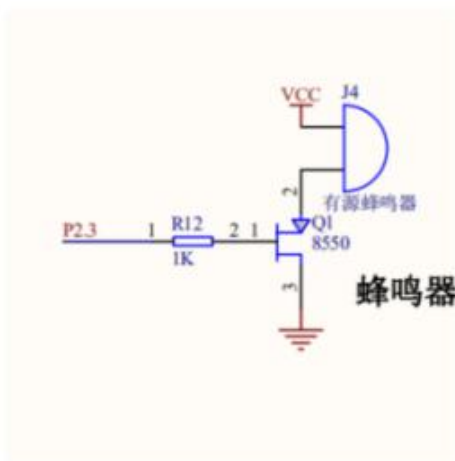
P3.7

1

P3.7



天然气检测装置信号输



1

2

PCB

E

3

1

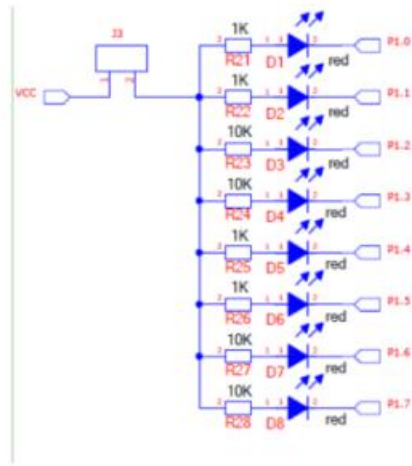
1

K1

D1

K2

D2



1

2

PCB

E

3

1

1

K1

K2 K3 K4

K1

" 1"



2

PCB

E

3

1

2



2

PCB

E

3

1

1

P3.6

P3.6



1

2

PCB

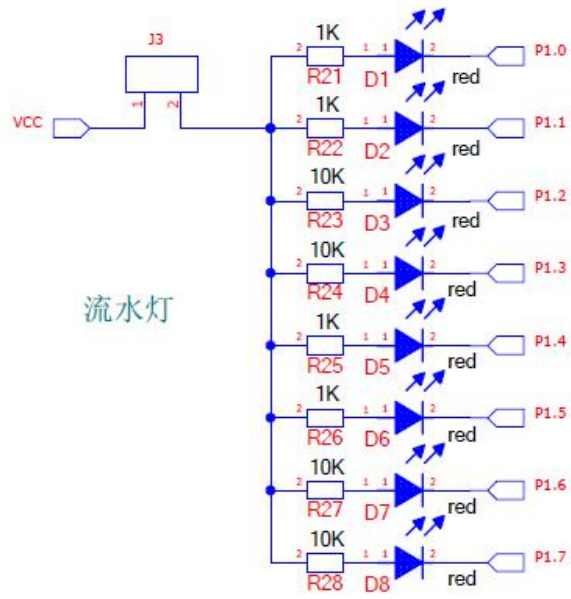
E

3

0

1

0.5S 0.5S



2

PCB

E

3

1

K1

D1-D4

K2

D5-D8



2

PCB

E

3

1

/ /

1

/ /

/ /

()

/

1 0

20		10			0
			1		
		10	2		
			3		

			4	
			5	
30		10		
		5		
		5		
		10		
50		5		
		5	1 2	PCB
		10		
		15	1 2 3	
		15		

5

18

1



2

3

1



2

3

1



2

3

1



2

3

1



2



3

1

1	VBAT	VDD	64
2	PC13/ANT1	VSS	63
3	PC14/OSC32	PB9/TIM4_CH4/SDIO_D5	62
4	PC15/OSC32	PB8/TIM4_CH3/SDIO_D4	61
5	PD0/OSCIN	PA7/OSCOUT	60
6	PD1/OSCOUT	PD7/OSC12C4/SDA/TIM4_CH2	59
7	NRES*	PB6/I2C1_SCL/TIM4_CH1	58
8	PC0/ADC10	PB5/I2C1_SMBA/SPI3_MOSI/I2S3_SD	57
9	PC1/ADC11	PB4/JNTRST/SPI3_MISO	56
10	PC2/ADC12	PB3/JTDO/SPI3_SCK/I2S3_CK	55
11	PC3/ADC13	PC2/U5_RX/TIM3_ETR/SDIO_CMD	54
12	VSSA	PC12/U5_TX/SDIO_CK	53
13	VDDA	PC11/U4_RX/SDIO_D3	52
14	PA0/WKUP/ADC0/TIM2_CH1_ETR/TIM5_CH1/TIM8_ETR	PC10/U4_TX/SDIO_D2	51
15	PA1/ADC1/TIM2_CH3/TIM5_CH2	PA15/JTDI/SPI3_NSS/I2S3_WS	50
16	PA2/U2_TX/ADC2/TIM2_CH5/TIM5_CH3	PA14/JTCK/SWCLK	49
17	PA3/U2_RX/ADC3/TIM2_CH4/TIM5_CH4	VDD	48
18	VSS	VSS	47
19	VDD	PA13/JTMS/SWCS	46
20	PA16/P1_NMI/AD11_DAC1	PA12/U6A_TX/SSOP_TSM1_ETR	45
21	PA17/P1_ADR/AD11_DAC2	PA11/U6A_RX/SSOP_TSM2_ETR	44
22	PA18/P1_MISO/ADC11/TIM1_CH1/TIM8_CH1	PA10/U7_RX/TSM1_CK	43
23	PA19/P1_MOSI/ADC12/TIM1_CH2/TIM8_CH2	PA9/U7_TX/TSM1_CH2	42
24	PC4/AD14	PA8/TIM1_CH1/MC0	41
25	PC5/AD15	PA7/TIM1_CH2/SDIO_CK	40
26	PB0/ADC8/TIM9_CH1/TIM9_CH2	PA6/TIM9_CK/SDIO_D7	39
27	PE1/ADC9/TIM9_CH3/TIM9_CH4	PA5/U8A_RX/SDIO_D6	38
28	PE2/AD16	PA4/SDIO_MCK/TIM9_CK/SDIO_D5	37
29	PE3/U3_TX/SDIO_D1	PA3/SDIO_MOSI/SDIO_D4/SDIO_D3	36
30	PE4/U3_RX/SDIO_D2	PA2/SDIO_MISO/SDIO_D2/SDIO_D1	35
31	VSS	PA1/SDIO_CS/SDIO_D0	34
32	VDD	PA0/SDIO_NSS/SDIO_D0	33

2

3

1



2

3

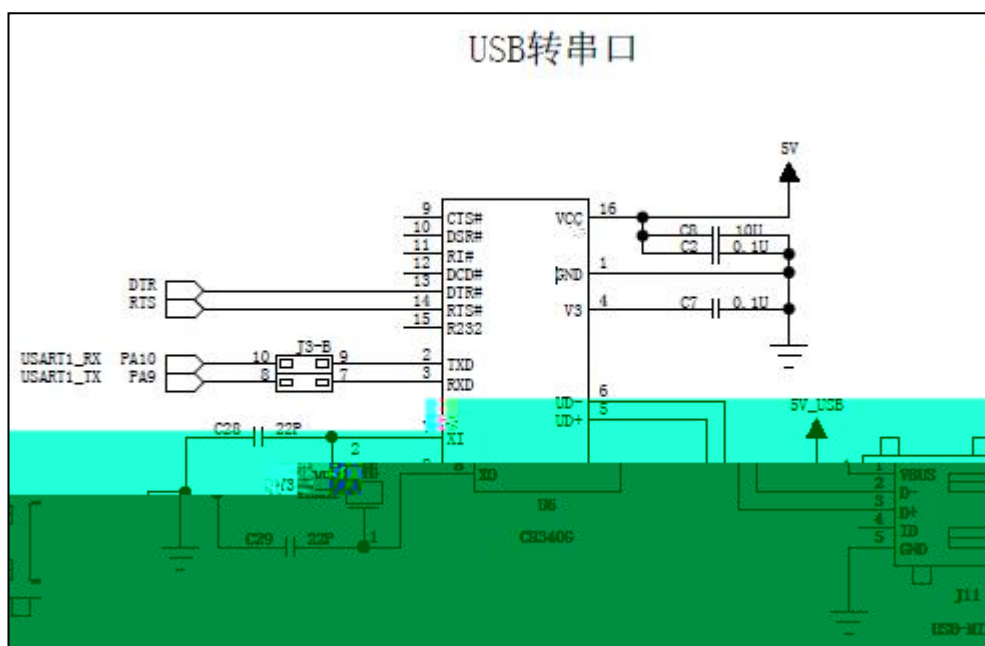
1

1	VBAT	VDD	64
2	PC13/ANT1	VSS	63
3	PC14/OSC32	PB9/TIM4_CH4/SDIO_D5	62
4	PC15/OSC32	PB8/TIM4_CH3/SDIO_D4	61
5	PD0/OSCIN	DD7/I2C1_S4/L1A/TIM4_CH2	59
6	PD1/OSCOUT	PB6/I2C1_SCL/TIM4_CH1	58
7	NRS*	PB5/I2C1_SMB4/SPI3_MOSI/I2S3_SD	57
8	PC0/ADC10	PB4/JNTRST/SPI3_MISO	56
9	PC1/ADC11	PB3/JTDO/SPI3_SCK/I2S3_CK	55
10	PC2/ADC12	PC2/U5_RX/TIM3_ETR/SDIO_CMD	54
11	PC3/ADC13	PC12/U5_TX/SDIO_CK	53
12	VSSA	PC11/U4_RX/SDIO_D3	52
13	VDDA	PC10/U4_TX/SDIO_D2	51
14	PA0/WKUP/ADC0/TIM2_CH1/ETR/TIM5_CH1/TIM8_ETR	PC10/U4_TX/SDIO_D2	50
15	PA1/ADC1/TIM2_CH2/TIM5_CH2	PA15/JTDI/SPI3_NSS/I2S3_WS	49
16	PA2/U2_TX/ADC2/TIM2_CH3/TIM5_CH3	PA14/JTCK/SWCLK	48
17	PA3/U2_RX/ADC3/TIM2_CH4/TIM5_CH4	VDD	47
18	PA4	VSS	46
19	PA5	PA13/TIM5_SWCLK	45
20	PA6/AF10/USART4/DAK	PA12/CAN_RX/USDP/TIM1_ETR	44
21	PA7/AF11/SPI4/ADC14	PA11/CAN_RX/USDP/TIM1_ETR	43
22	PA8/AF11/MSP/ADC0/TIM2_CH1/TIM8_BKIN	PA10/U5_RX/TIM3_ETR	42
23	PA9/AF11/MSP/ADC0/TIM2_CH2/TIM8_LIN1	PA9/U5_TX/TIM3_ETR	41
24	PC4/AF11	PA8/TIM1_OUT/MCO	40
25	PC5/AF11	PA7/TIM1_CH2	39
26	PC6/ADC14	PA6/TIM1_OUT/MCO	38
27	PC7/ADC15	PA5/TIM1_CH2	37
28	PC8/ADC16/TIM2_CH1/TIM8_CH1N	PA4/TIM1_CH2	36
29	PC9/ADC17/TIM2_CH2/TIM8_CH2N	PA3/TIM1_OUT/MCO	35
30	PC10/AF11	PA2/TIM1_OUT/MCO	34
31	PC11/AF11	PA1/TIM1_OUT/MCO	33
32	PC12/AF11	PA0/TIM1_OUT/MCO	32
33	PC13/AF11	PA0/TIM1_OUT/MCO	31
34	PC14/AF11	PA0/TIM1_OUT/MCO	30
35	PC15/AF11	PA0/TIM1_OUT/MCO	29
36	PC16/AF11	PA0/TIM1_OUT/MCO	28
37	PC17/AF11	PA0/TIM1_OUT/MCO	27
38	PC18/AF11	PA0/TIM1_OUT/MCO	26
39	PC19/AF11	PA0/TIM1_OUT/MCO	25
40	PC20/AF11	PA0/TIM1_OUT/MCO	24
41	PC21/AF11	PA0/TIM1_OUT/MCO	23
42	PC22/AF11	PA0/TIM1_OUT/MCO	22
43	PC23/AF11	PA0/TIM1_OUT/MCO	21
44	PC24/AF11	PA0/TIM1_OUT/MCO	20
45	PC25/AF11	PA0/TIM1_OUT/MCO	19
46	PC26/AF11	PA0/TIM1_OUT/MCO	18
47	PC27/AF11	PA0/TIM1_OUT/MCO	17
48	PC28/AF11	PA0/TIM1_OUT/MCO	16
49	PC29/AF11	PA0/TIM1_OUT/MCO	15
50	PC30/AF11	PA0/TIM1_OUT/MCO	14
51	PC31/AF11	PA0/TIM1_OUT/MCO	13
52	PC32/AF11	PA0/TIM1_OUT/MCO	12
53	PC33/AF11	PA0/TIM1_OUT/MCO	11
54	PC34/AF11	PA0/TIM1_OUT/MCO	10
55	PC35/AF11	PA0/TIM1_OUT/MCO	9
56	PC36/AF11	PA0/TIM1_OUT/MCO	8
57	PC37/AF11	PA0/TIM1_OUT/MCO	7
58	PC38/AF11	PA0/TIM1_OUT/MCO	6
59	PC39/AF11	PA0/TIM1_OUT/MCO	5
60	PC40/AF11	PA0/TIM1_OUT/MCO	4
61	PC41/AF11	PA0/TIM1_OUT/MCO	3
62	PC42/AF11	PA0/TIM1_OUT/MCO	2
63	PC43/AF11	PA0/TIM1_OUT/MCO	1

2

3

1

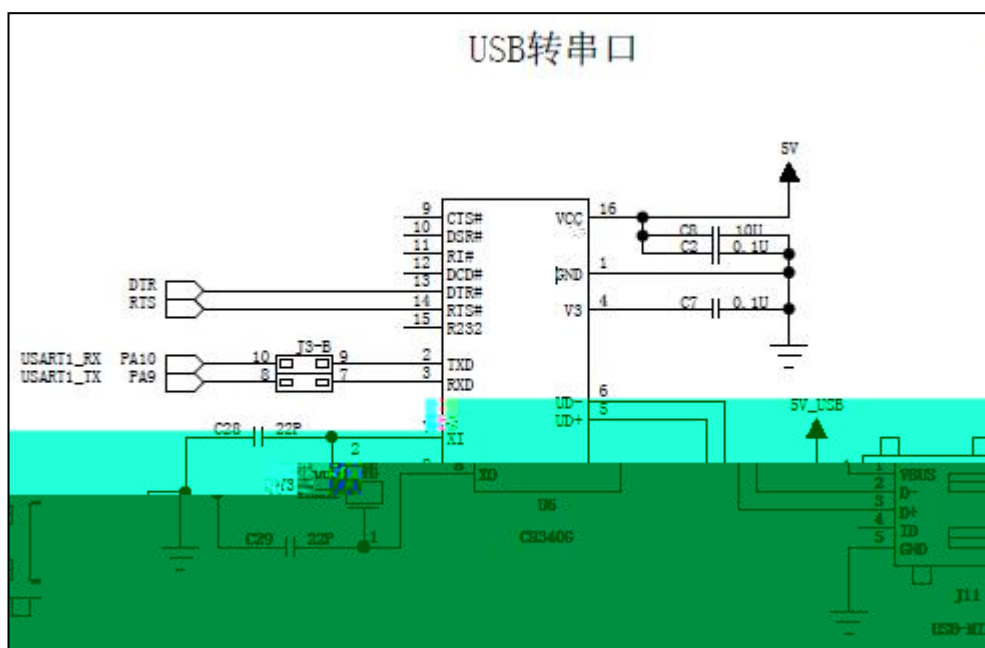


2

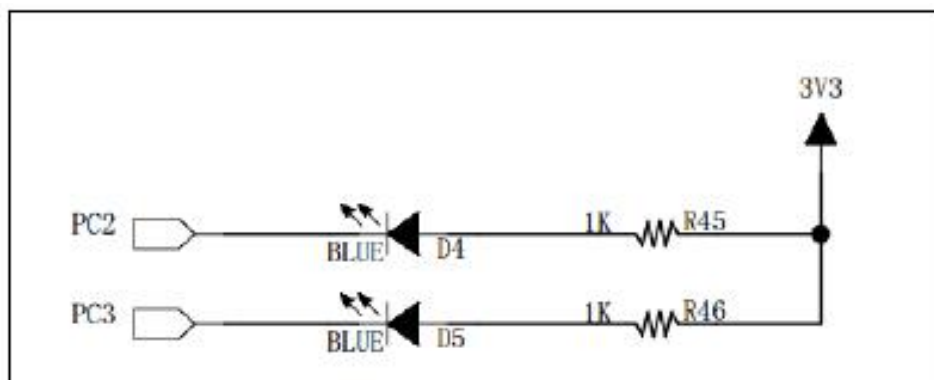
3

-

1



2



3

-



1

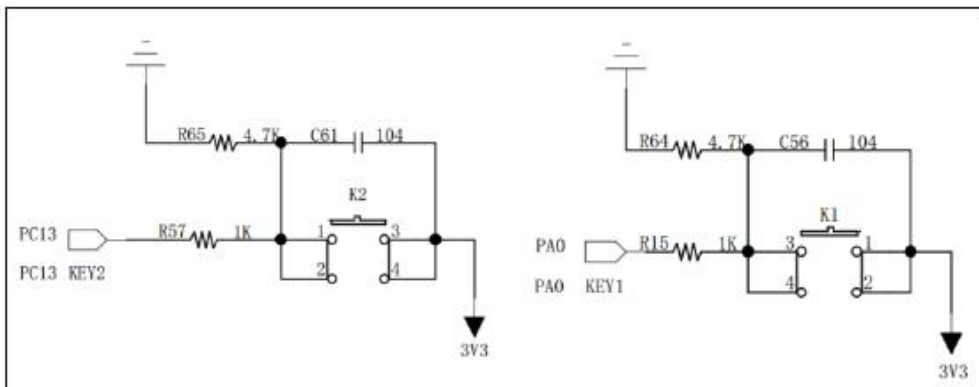
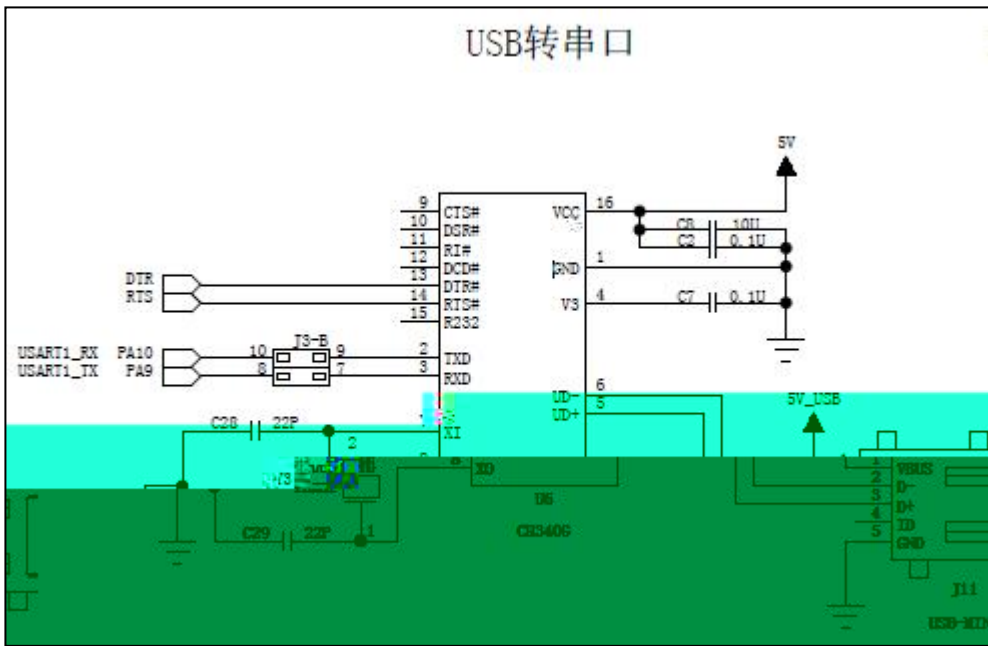


2

3

-

1

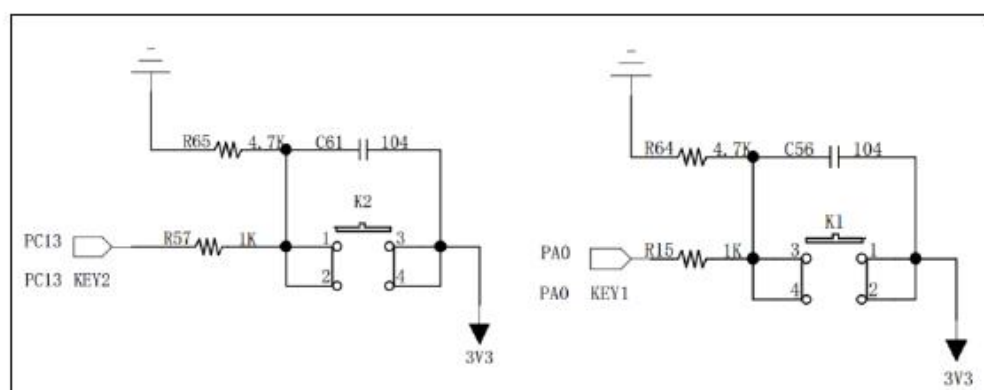
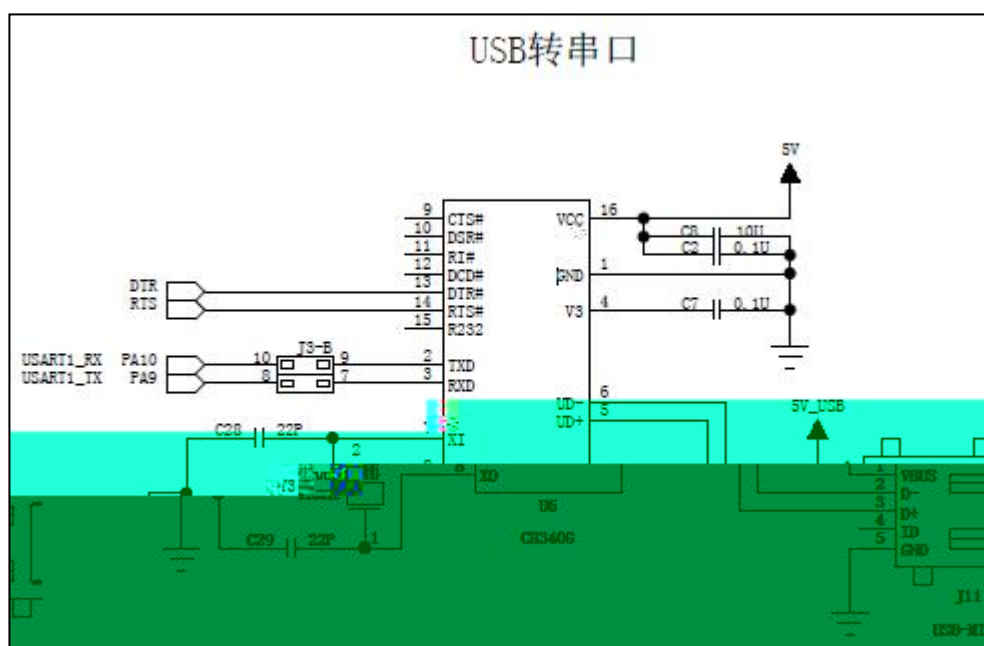


2

3

-

1



2

3

-

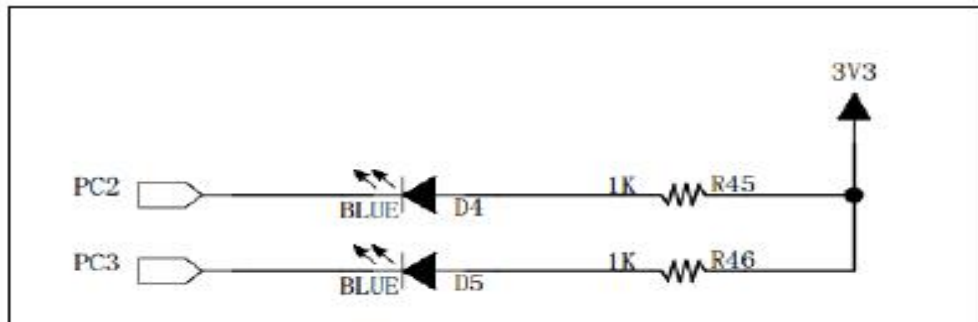


2

3

-

1



2

3

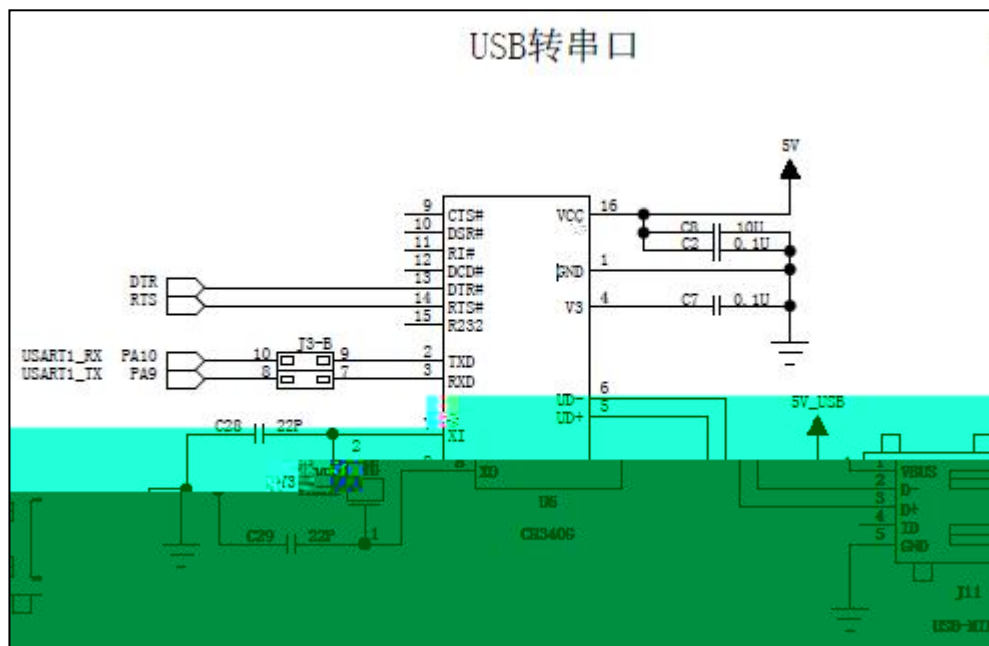


2

3

-

1



2

3

-

1

1

/ /

.0

/ /

()

/

1 0

20		10			0	
			6			
			7			
		10	8			
			9			

			10	
30				
		10		
		10		
50				
		10		

5

18

1
2

20sp

RGB #FF0000



3 :

2
1



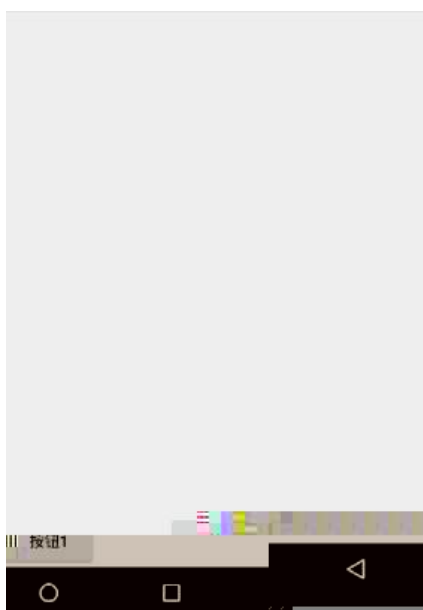
3 :

1

2

1

2



3

:

TextView

2

1



3

1

2



3

2

1

2



3

1

1 1 1 1

2

1

2

1 1 1 1



3

1

2

1



3

1

2

1

2



3

1

2

1

2

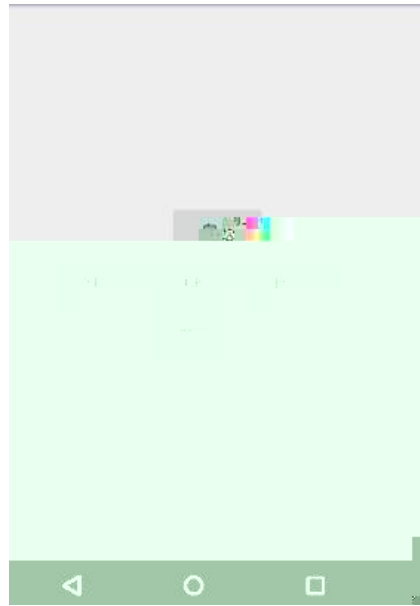


3

1

2

1



3

1

LED

2

1

2

3

TextView LED



3

1

LED

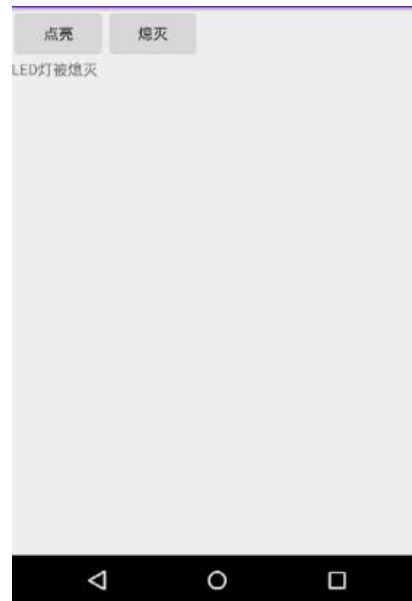
2

1

2

3

TextView LED



3

1

LED

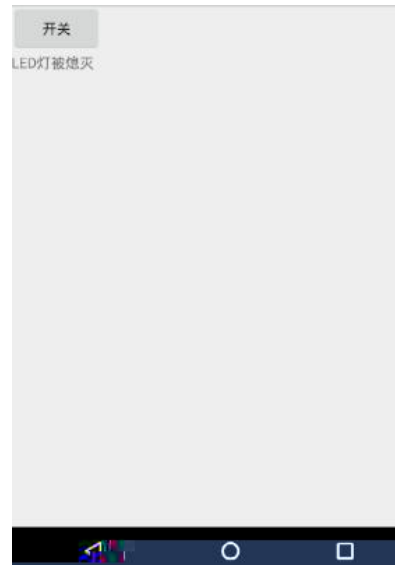
2

1

2

3

TextView LED



3

1

LED

2

1

2

3

4

TextVi ew



3

1

LED

2

1

2

3

4

ImageView

30dp*30dp



3

1

2

1

2



3

1

2

1

2



3